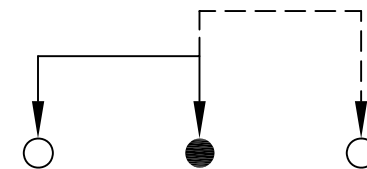
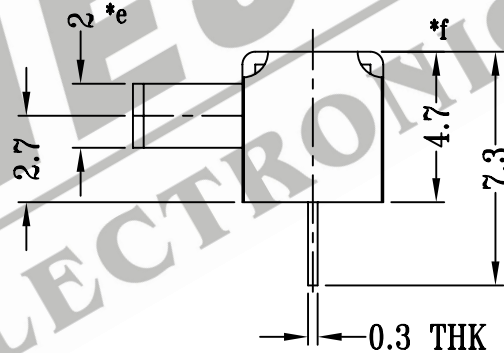
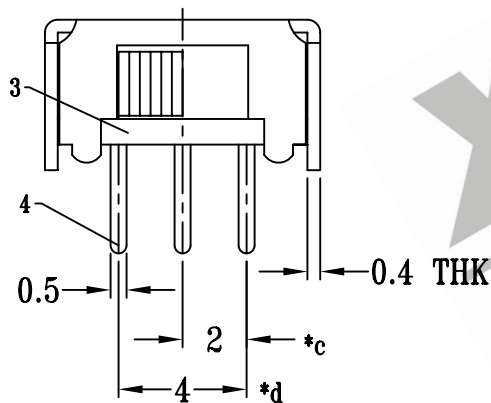
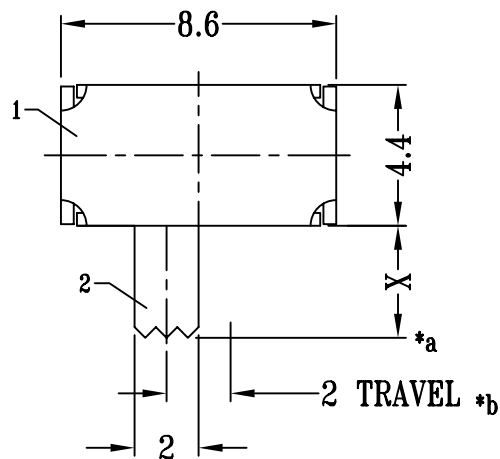
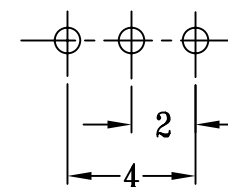




CAD FILE:



SCHEMATIC (SHORTING)



P.C.B LAYOUT

注:带"*"表示关键尺寸(6个)

NO.	PARTS	MATERIALS	Q'TY	FINISH	TOLERANCE UNLESS SPECIFIED	SHENZHEN XIEJIA ELECTRONICS CO.,LTD.				
8					WITHIN: 1.5±0.1mm OVER: 1.5±0.2mm	ISSUE	DATE	DESCRIPTIONS OF REVISION		APPD.
7										
6	SPRING PLATE	STAINLESS STEEL	1	NATURAL	TITLE : HORIZONTAL SLIDE SWITCH	UNIT : mm		DRWG NO.: XJ-DR-SK12D09-00		
5	CONTACT CLIP	PBS	1	Ag CLAD		SCALE: 4:1		DWN.	ZHOUYU	2003-6-18
4	TERMINAL	BRASS STRIP	3	Ag PLATED OVER Ni PLATED	MODEL: SK-12D09		CHK'D	FANGYING	2003-6-18	
3	BASE	PHENOLIC RESIN	1	NATURAL	ALL MATERIALS MUST BE COMPLIANT TO ROHS		APPD.	KANGXINAN	2003-6-18	
2	KNOB	POM	1	BLACK						
1	FRAME	STEEL STRIP	1	Ni PLATED						